

Neuson Fourwheel drive dumper

Technical Data

1001



Capacity

Max. safe load	1000 kg
Unladen weight	1215 kg
Skip - struck	415 l
- heaped	525 l
- water level	275 l



Engine

Make	Yanmar
Type	3TNV76
	3-cyl, watercooled
Output (Iso 3046/1)	17 (23,1) kw (hp)
Revolution	3000 min ⁻¹
Displacement	1116 ccm
Emission	acc. 97/68/EG, step 3A



Drive characteristics

Speed	0 - 14 km/h
Steering angle	+/- 33 °
Oscillation	+/- 15 °
Turning radius outside	3200 mm
Gradeability	45 %



Transmission

Final Drive	hydr. automotive, TWIN-LOCK permanent 4 wheel drive, electo-hydraulic direct.control
Steering	hydrostatic center-pivot steering (load sensing)
Tyres	10.00/75x15 [6.00-16] 8 Ply [6 Ply] Traction profile
Working brake	via foot pedal and wet multidisc in front axle
Parking brake	wet multidisc brake operated by lever in front axle



Hydraulic System

Drive pump	axial piston pump
- flowrate	84 l/min
- oper. press.	360 bar
Working pump	gear pump
- flowrate	25 l/min
- oper. press.	170 bar



Tank capacity

Diesel	15 l
Hydraulic	20 l



Electric

Voltage	12 V
Battery	45 Ah
Alternator	40 A
Starter	1,1 kw

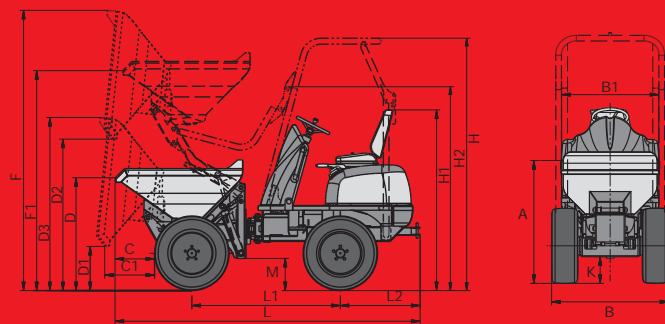


Noise Emission

Noise Level LWA (acc. 2000/14/EC)	101 dB(A)
-----------------------------------	-----------



Dimension



	A	B	B1	C	C1	D	D1	D2	D3	F
mm	1230	1180 [990]	990	385	510	1160	465	1560 [1140]	1770	2860 [2440]
	F1	H	H1	H2	I	K	L	L1	L2	M
mm	2250 [1830]	2580	1850	2080	327	270	3080	1500	810	327

* [] narrow Option



Features

- Compact dimensions allows operation in areas with restricted access
- Excellent rough terrain performance from hydrost. permanent 4-wheel drive
- Heavy duty construction; reinforced with box sections
- Simple and safe operation; drive direction switch on the steering column.
- Acceleration by foot pedal and braking from hydrost. retardation
- Wide, heavy duty operator stand protects driver legs
- Simple and clear dashboard including fuel gauge, hourmeter, warning lights for-parking brake, oil filter,oil pressure,engine temperature
- Folding ROPS as standard
- Easy access for service maintenance
- Towing bracket as standard



Optional equipment

- Flashing Beacon
- Reversing Alarm
- Spare Wheel
- Biodegradeable hydraulic oil
- Awning for control stand and seat
- Road lighting kit
- Rear view mirror
- Narrow Option (990 mm)

Wacker Neuson Rhymney Ltd.

Crown Business Park, Tredegar
Gwent South Wales NP22 4EF
United Kingdom

Tel. +44 (0)1495 72 30 83
Fax +44 (0)1495 71 39 41

e-Mail uksales@neuson.com
www.wackerneuson.com



We reserve the right to change the above specification w/o prior notice.
08/08 - Art.-Nr.: 1000183554



neuson®