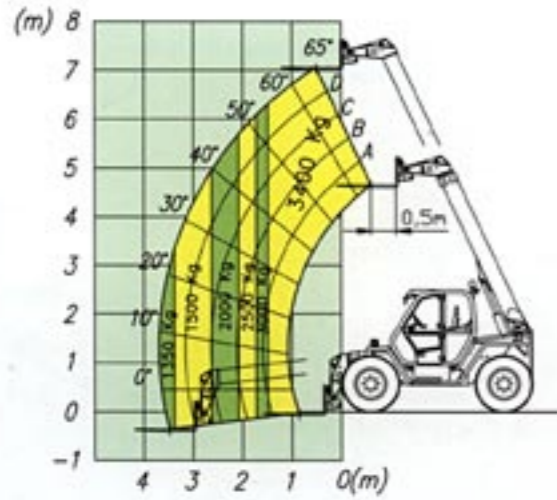


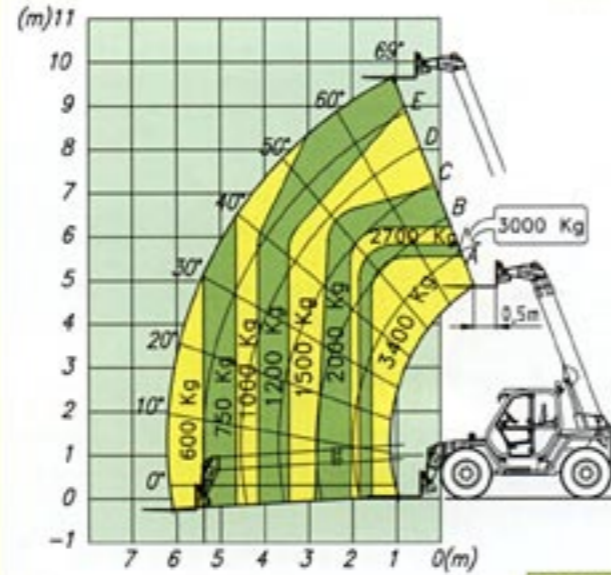
PERFORMANCE AND DIMENSIONS

P 34.7



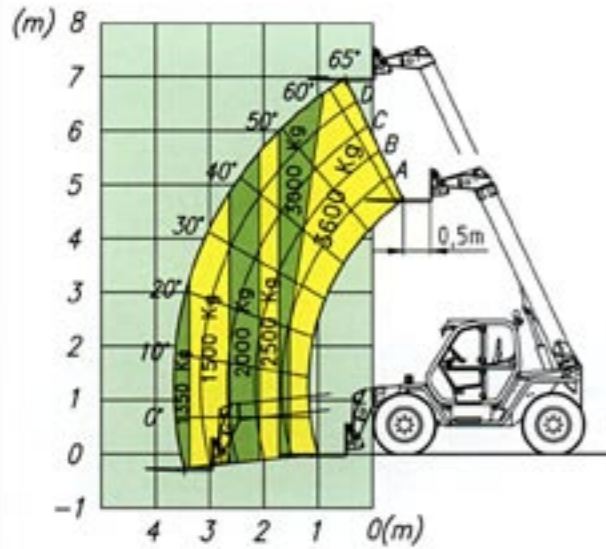
EN 1459/B

P 34.10



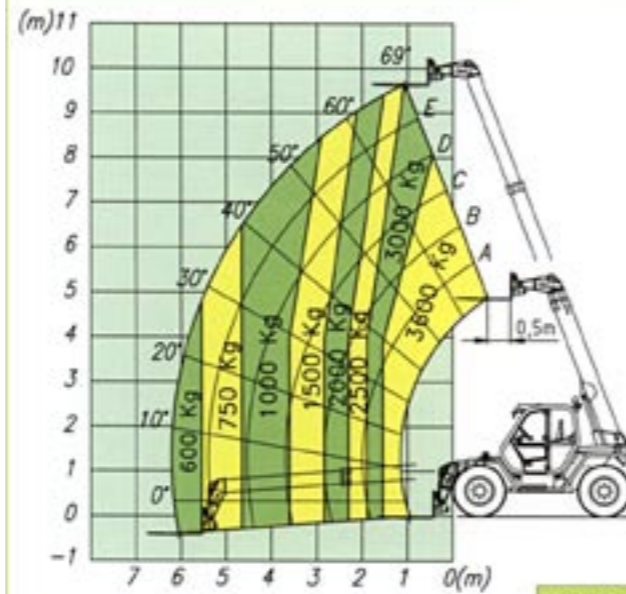
EN 1459/B

P 36.7



EN 1459/B

P 36.10



EN 1459/B

PANORAMIC	RIGID FRONT AXLE		SIDESHIFT/LEVELLING FRONT AXLE		
	P 34.7	P 34.10 Plus	P 36.7	P 36.10	
Weight					
Total empty weight (with forks)	kg	6600	7250	6760	7350
Performance					
Rated maximum load	kg	3400	3400	3600	3800
Maximum lift height	m	7	9.7	7	9.7
Maximum forward reach	m	3.6	6.3	3.6	6.2
Lift height at full capacity	m	7	5.5	7	8
Reach at full capacity	m	1.5	1.6	1.5	1.6
Capacity at full lift height	kg	3400	1200	3600	3000
Capacity at full forward reach	kg	1350	600	1350	600
Low emission (Euro 2) turbo engine	turbo	turbo	turbo	turbo	turbo
Power at 2400 rpm (97/68/CE)	kW/HP	74.9/102	74.9/102	74.9/102	74.9/102
Speed ratios					
1 st gear ^a	kph	11	11	11	11
2 nd gear (self-limiting maximum speed)	kph	40	40	40	40



Cab

- Complies with ISO 3449 (FOPS) and ISO 3471 (ROPS) standards.
- '4 x T' electro-mechanical joystick with roller-operated proportional control of extension and auxiliary services.

Boom

- Telescopic, with sections sliding on adjustable low-friction pads.
- Hydraulic extension mechanism, hydraulic pipes and electrics are totally enclosed within the boom assembly to ensure maximum protection and reliability.
- Integral boom sideshift mechanism.

Quick-attach carriage

- The 'Tac-Lock' quick attachment fitting system is hydraulically controlled from the cab.
- Standard double-acting hydraulic service, with quick couplings, for the operation of hydraulically powered attachments.

Frame levelling

- Hydraulically operated from the cab.

Forks

- Floating type: length 1200 mm, section 130 x 50 mm.
- Fork spacing is manually adjustable between 450 and 1050 mm.

Steering

- Four drive/steer wheels, with automatic wheel synchronisation in the event of any misalignment and selection of three steering modes from the cab.

Engine

- Direct injection, water cooled 4 cylinder Deutz Euro 2 turbocharged diesel engine producing 74.9kW (102HP) at 2400rpm (97/68/CE)

Transmission

- Hydrostatic with electronically controlled variable displacement pump.
- Continuous and automatic speed variation, from zero to maximum speed, solely with the accelerator pedal.
- Two-speed mechanical range gearbox. Electronically synchronised 'Change on the Move' range gearbox available as an option (max speed in 1st gear 16kph).
- 'Inching-Control' pedal to proportionately reduce travel speed whilst maintaining high engine speed for hydraulic operation e.g. during loading operations.
- 'Finger-Touch' system makes it possible to change between forward and reverse direction with the driver keeping both hands firmly on the steering wheel.

- Permanent four-wheel drive.
- Portal axles ensuring excellent ground clearance.

Front/rear axle differential locking (option)

- Electrically operated by foot pedal.

Braking system

- Disk service brakes on all 4 wheels, hydraulically operated and acting on the differential output shafts.
- Disk parking brake with automatic locking feature and hydraulic release control acting on the main transmission shaft.

Hydraulic system

Gear pump equipped systems

- Maximum operating capacity: 100 lpm.
- Working pressure: 210 bar.

Electrics

- 12V system with 100Ah battery and 90A alternator.
- Full road lighting and rotating beacon.
- Manual battery isolator switch (optional automatic switch).

Service Capacities

- Hydraulic oil: 105 litres
- Diesel fuel: 155 litres
- Hydrostatic oil: 12 litres
- Engine oil: 8.5 litres
- Coolant: 12 litres

Tyres

- 40S/70-24 (optional 17.5LR24 and 460/70LR24).

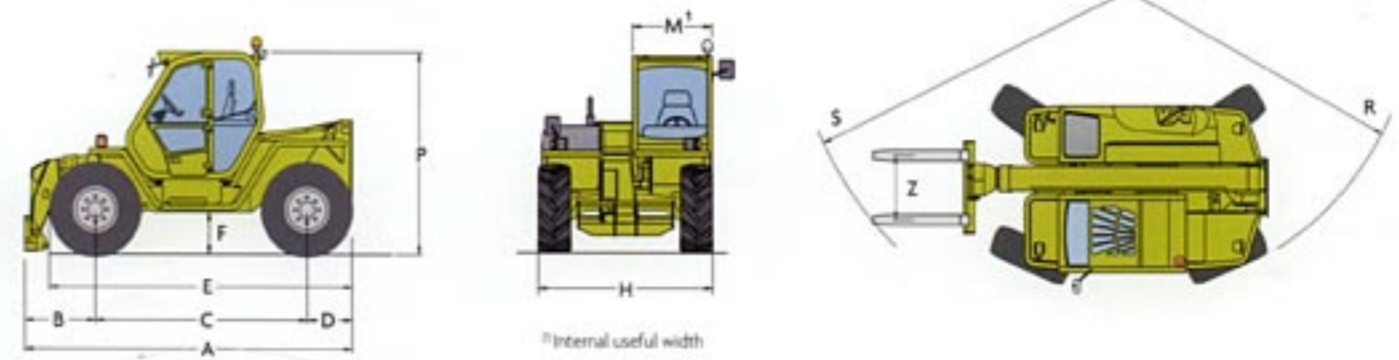
Available options

- Rear or rear/front axle differential lock
- Automatic battery isolator
- Manual control air conditioning
- Windscreen wiper on the roof window
- Two boom-mounted working lights plus one to cab rear
- Front axle-mounted compact stabilisers (fitted with 20 inch tyres only)



PANDRAMIC

Dimensions		P 34.7	P 34.10	P 36.7	P 36.10
A	mm	4180	4335	4300	4335
B	mm	905	1060	980	1010
C	mm	2700	2700	2700	2700
D	mm	570	570	570	570
E	mm	3865	3865	3915	3915
F	mm	565	565	565	565
H	mm	2230	2230	2230	2230
M	mm	995	995	995	995
P	mm	2475	2475	2475	2475
R	mm	3985	3985	4050	4050
S	mm	4670	4850	4800	4850
Z	mm	850	850	850	850



PANORAMIC - A WINNING CONCEPT



The supremacy of ideas



ROTO
10 slewing handlers
10m - 25m



DBM
3 self-loading mixers
2000-3500 litres



TURBOFARMER
18 turbofarmers 2.6t - 4.1t



CINGO
4 tracked carriers
400 - 1000 kg capacity



MULTIFARMER
4 MultiFarmers 6m - 9m

PANORAMIC
20 handlers 6m - 18m

PANORAMIC

PANORAMIC

P34.7

P34.10

P36.7

P36.10



PROVISIONAL