

 **NEW HOLLAND**



E80

NEW HOLLAND KOBELCO

NET FLYWHEEL POWER 41 kW - 55 hp

MAXIMUM OPERATING WEIGHT 8 340 kg

BUCKET CAPACITY 0.23 - 0.35 m³

 **NEW HOLLAND**

PROVEN PERFORMANCE

E80*

SPECIFICATIONS



ENGINE TIER-2

Net flywheel power (ISO 14396)	41 kW/55 hp
Rated rpm	2100
Make and model	ISUZU - CC-4JG1
Type	Diesel 4-stroke, direct injection
Aspiration	natural
Number of cylinders	4
Displacement	3059 cm ³
Bore x Stroke	95.4 x 107mm

Electronic engine rpm control dial type

Auto-idling selector returns engine to minimum rpm when all controls are in neutral position.



ELECTRICAL SYSTEM

Voltage	24 V
Alternator	30 Amp
Starter motor	3.2 kW
Standard maintenance-free batteries	2
Capacity	136 Ah



HYDRAULIC SYSTEM

S.H.S. (Smart Hydraulic System) and **computerised hydraulic pump delivery** for perfect controllability and simultaneity of all movements.

Operating mode selector: **H** - heavy duty
S - standard
FC - precision jobs

Main pumps:

Two variable delivery axial piston pumps	
Pumps automatically revert to zero delivery with controls in neutral	
Maximum delivery	2 x 66 l/min
Piloting circuit gear type pump	
Maximum delivery	20 l/min

Maximum operating pressure:

Equipment	300 bar
Swing	250 bar
Travel	300 bar
Pilot circuit	35 bar

Hydraulic cylinders	Number	Bore	Stroke
Lift	1	110 mm	916 mm
Penetration	1	95 mm	813 mm
Bucket	1	80 mm	735 mm
Swing boom	1	105 mm	594 mm



TRANSMISSION

Type	hydrostatic, two-speed
Travel motors	2, axial piston type, double displacement
Brakes	automatic discs type
Final drive	oil bath, planetary reduction
Gradeability (continuous)	70% (35°)

Travel speeds

Low	from 0 to 3.1 km/h
High	from 0 to 5.3 km/h

Automatic Down Shift device: to move travel motors to maximum displacement position with selector on "speed" when greater traction is required.



SWING

Swing motor	axial piston type
Swing brake	automatic discs type
Final drive	oil bath, planetary reduction
Swing Ring	oil bath type
Swing Speed	12.5 rpm



CAB AND CONTROLS

Transparent upper cab roof.
 Automatic conditioning.
 Controls

.....piloted

Two cross path pattern levers actuate all equipment movements and superstructure swing.
 One lever for blade lower/lift.
 Two pedals with detachable "hand" levers control all track movements, counter-rotation included.
 A safety lever completely neutralizes the piloting circuit.



UNDERCARRIAGE

HD track chain with sealed bushings.	
Track rollers (each side)	5
Carrier rollers (each side)	1
Length of track on ground	2240 mm
Gauge	1870 mm
Shoes	450-600 mm triple grouser 450 mm - rubber



BLADE (STANDARD)

Width x Height	2320 x 470 mm
Lift from ground	354 mm
Lower from ground	223 mm

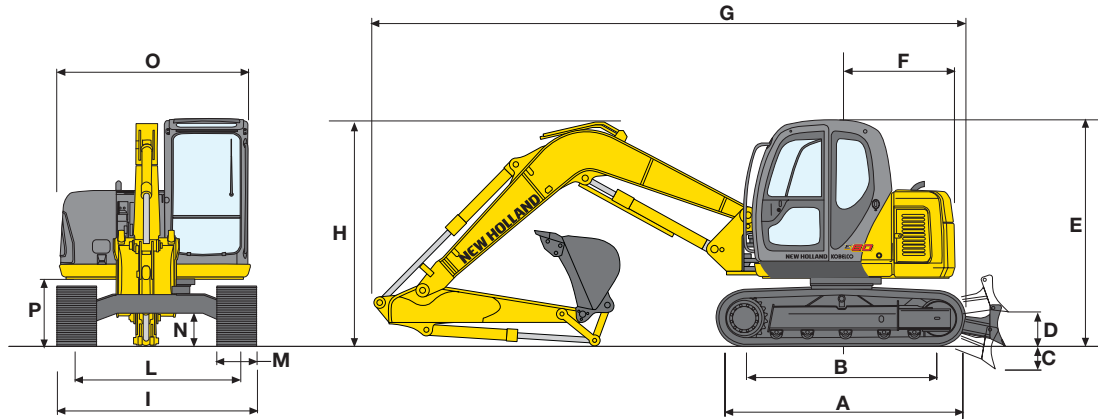


CAPACITIES

Engine	litres
Lube oil	10.0
Coolant	10.0
Fuel tank	100.0
Hydraulic reservoir	117.0
Swing reduction	1.5
Travel reduction (each)	1.3

ONE-PIECE BOOM AND BLADE

DIMENSIONS (mm) - OPERATING WEIGHTS



A	B	C	D	E	F	G	H	I	L	M	N	O	P
2860	2240	223	354	2600	1650	6760*	2600	2320 (1)	1870	450	380	2170	750
								2470 (2)		600			

(1) 450 mm shoes - (2) 600 mm shoes

(*) Dimensions with 2070 mm Dipperstick

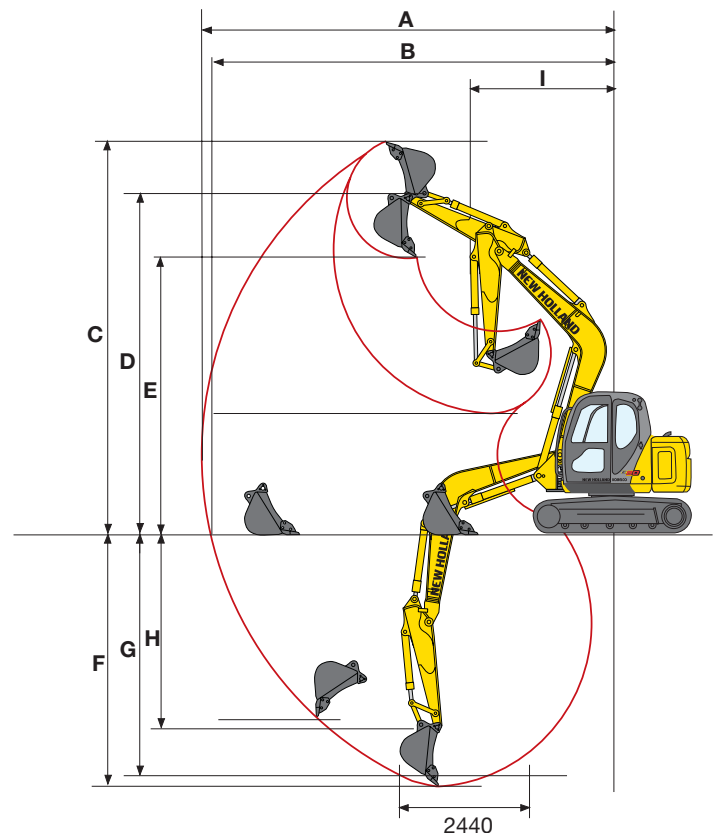
Shoes		3-grouser steel		Rubber
M - Shoe width	mm	450	600	450
I - maximum width	mm	2320	2470	2320
Operating weight	kg	7980	8340	8050
Ground pressure	bar	0.36	0.31	0.40

DIGGING PERFORMANCE

DIPPERSTICK	mm	1800	2070
A	mm	7170	6710
B	mm	7010	6570
C	mm	6790	7500
D	mm	5820	6465
E	mm	4780	5430
F	mm	4380	4520
G	mm	3080	4220
H	mm	3170	3970
I	mm	2520	3120

BREAKOUT FORCE:			
BUCKET	daN	5400	5400
DIPPERSTICK	daN	3800	3550

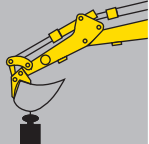
BUCKETS		
SAE Capacity (m ³)	Width (mm)	Teeth
0.23	600	4
0.30	750	4
0.35	850	5



E80

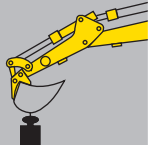
LIFTING CAPACITY

DATA IN KILOS

	REACH							
	1.5 m		3.0 m		4.5 m		6.0 m	
	FRONT	SIDE	FRONT	SIDE	FRONT	SIDE	FRONT	SIDE

ONE-PIECE BOOM - 1800 mm DIPPERSTICK

HEIGHT	1.5 m		3.0 m		4.5 m		6.0 m	
+4.5 m					1640	1560		
+3.0 m					1670	1460	1000	880
+1.5 m			2870	2460	1530	1340	950	830
0 m			2680	2280	1420	1240	910	790
-1.5 m	3480	3480	2680	2280	1390	1200		
-3.0 m			2780	2370				

	REACH							
	1.5 m		3.0 m		4.5 m		6.0 m	
	FRONT	SIDE	FRONT	SIDE	FRONT	SIDE	FRONT	SIDE

ONE-PIECE BOOM - 2070 mm DIPPERSTICK

HEIGHT	1.5 m		3.0 m		4.5 m		6.0 m	
+4.5 m					1490	1490		
+3.0 m					1680	1490	1000	880
+1.5 m			2920	2510	1530	1340	950	830
0 m			2670	2270	1410	1230	900	780
-1.5 m	2760	2760	2680	2280	1360	1160		
-3.0 m			2640	2240				

Values to **ISO 10567** with 0.30m³ bucket and 600 mm steel shoes and below 75% tiltability and 87% hydraulic power. Data with an asterisk (*) are limited by hydraulic capacity.

AT YOUR OWN DEALERSHIP

The information contained in this brochure is intended to be a general nature only. The NEW HOLLAND KOBELCO CONSTRUCTION MACHINERY S.p.A. company may at any time and from time to time, for technical or other necessary reasons, modify any of the details or specifications of the product described in this brochure. Illustrations do not necessarily show products in standard conditions. The dimensions, weights and capacities shown herein, as well as any conversion data used, are approximate only and are subject to variations within normal manufacturing techniques.

Published by NEW HOLLAND KOBELCO CONSTRUCTION MACHINERY S.p.A. - www.newholland.com
 Printed in Italy - LEADER Firenze - Cod. 73301131 - INB - Printed 02/05

 **NEW HOLLAND**

A product of the global alliance between CNH and KOBELCO



NEW HOLLAND IS A BRAND OF CNH.
 CNH: THE TOTAL SOLUTIONS CHOICE FOR YOUR SPECIFIC BUSINESS NEEDS.