

D 600 AP
D 600 APG
D 1000 AP
D 1000 APG



www.ausa.com

AUSA Center, S.L. ● Ctra. de Vic, Km 2.8 - P.O.B. 194. 08243 Manresa - BARCELONA (ESPAÑA) Tel.: +34 93 874 73 11 - E-mail: ausa@ausa.com



ISO 9001

ISO 14001



AUSA Madrid ● Pol. Ind. Coslada - C. Marconi 15-17. 28823 Coslada - MADRID (ESPAÑA) Tel.: +34 91 669 00 06 - E-mail: ausa.madrid@ausa.com

AUSA France ● Z. I. Saint Charles - Rue de Zürich, 66000 PERPIGNAN (FRANCE) Tel.: +33 (0) 4 68 54 38 97 - E-mail: ausa.france@ausa.com

AUSA Deutschland ● Heinrich - Welken Str. 5. 59069 HAMM (GERMANY) Tel.: +49 (0) 2384-9889905 - E-mail: ausa.deutschland@ausa.com

BEIJING Rep. Office ● Address Room 527. HengXiang Building, Tuanjehu Nanli, Chaoyang District. - BEIJING 100026 (CHINA)

Tel.: 86-10-8597 1983 - Fax: 86-10-8597 1993 - E-mail: ausa.china@ausa.com

AUSA UK ● Tel.: 07970639988 - E-mail: ausa.uk@ausa.com

AUSA Brasil ● Tel.: +55 51 33622111 - E-mail: ausa.brasil@ausa.com

AUSA México ● Calzada Vallejo, 725. 07750 Del. Gustavo A. Madero, México D.F. (MÉXICO) Tel.: +55 2166-9066 - E-mail: ausa.mexico@ausa.com

(Sede central AUSA-Manresa)

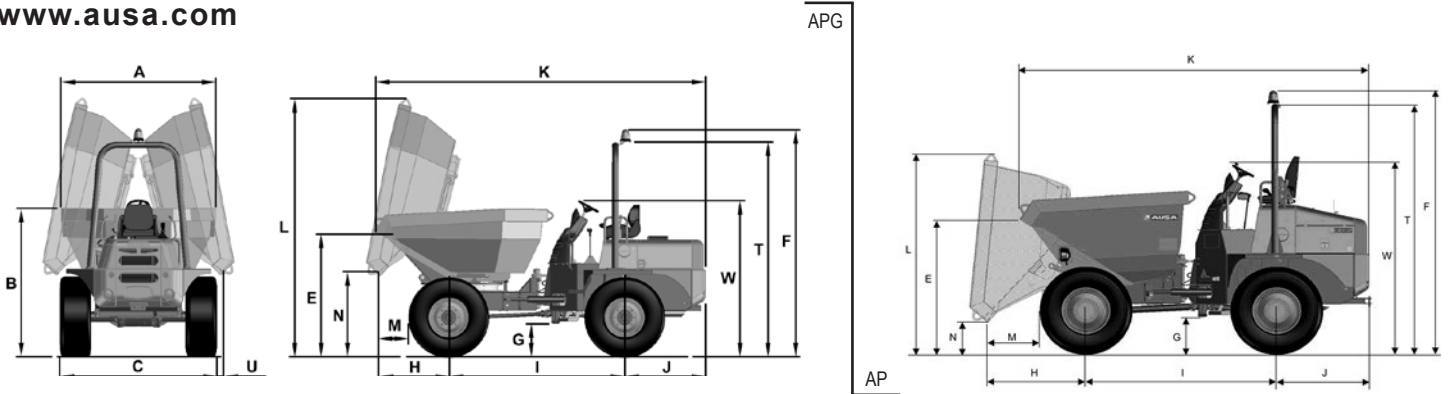
D 600 AP_6000 Kg
D 600 APG_6000 Kg
D 1000 AP_10000 Kg
D 1000 APG_10000 Kg



www.ausa.com

DIMENSIONS mm	D 600 AP	D 600 APG	D 1000 AP	D 1000 APG
A	2295	2150	2480	2480
B	1960	2070	2380	2385
C	2190	2190	2440	2440
E	1730	1790	1820	1950
F	3180	3180	3560	3560
G	475	475	490	490
H	1210	970	1260	980
I	2450	2450	2450	2450
J	1125	1125	1220	1220
K	4465	4615	4520	4740
L	2680	3600	2710	3820
M	650	415	665	380
N	455	1200	430	1100
T	3000	3000 / 2850 (*)	3375 / 3220 (*)	3375 / 3220 (*)
U	-	90	-	110
W	2190	2190	2550	2550

(*) Closed cabin



TECHNICAL SPECIFICATIONS

	D 600 AP	D 600 APG	D 1000 AP	D 1000 APG
Load capacity (Kg)	6000		10000	
Unloading system	Hydraulic, frontal	Hydraulic, 180° side rotating	Hydraulic, frontal	Hydraulic, 180° side rotating
Chassis	Articulated and oscillating			
Hopper capacities	Water Levelled Heaped	1950 2650 3290	1565 2360 3130	2440 3750 5225
Engine Stage IIIB / Tier 4 Int.	Diesel KUBOTA V-3800-CR-TE4 with Diesel Particulate Filter and Diesel Oxidation Catalyst (DPF and DOC) - "Plus" Version		Diesel KUBOTA V3800-CR-TIE4 with Diesel Particulate Filter and Diesel Oxidation Catalyst (DPF and DOC)	
	Power (KW/HP)	85 / 114		85 / 114
	N° of Cylinders	4		4
	Cooling system	Water		Water
Engine Stage III B / Tier 4	Diesel DEUTZ TD3.6 with Diesel Oxidation Catalyst			
	Power (KW/HP)	55,4 / 74		
	N° of Cylinders	4		
	Cooling system	Water		
Engine Non-EU EMISSION Stage IIIA / Tier 3	Diesel KUBOTA V3600T		Diesel KUBOTA V3800T	
	Power (KW/HP)	63 / 86	72.8 / 99	
	N° of Cylinders	4	4	
	Cooling system	Water	Water	
Traction	4 x 4 permanent			
Transmission	Torque converter with synchronized gear box. 4 ratios forwards and 4 ratios backwards by means of an electro-hydraulic device. Axles with planetary reduction on differential output			
Engine starting system	Electric			
Speed (max.) (km/h)	34		38	
Unladen weight (Kg)	4200	4380	4760	4990
Gradeability	60%			
Hydraulic circuit	Gear pump of 25 cc. Working pressure 180 bar			
Tyres	Front Rear	405/70-20" (14 PR) 405/70-20" (14 PR)		500/60-22,5" (16PR") 500/60-22,5" (16PR")
External turning radius (mm)	5700			5950
Steering	Hydraulic. Working pressure 115 bar			
Tank capacity (l)	Carburant (l) Hydraulic	65		70
Service brake	Oil-immersed, multidisc, hydraulically operated			
Parking brake	Oil-immersed, multidisc, mechanically operated			
STANDARD EQUIPMENT	Ergonomic seat with safety belt Anti vandal system Audible reverse warning Rotating beacon Foldable ROPS arch			
OPTIONAL EQUIPMENT	Closed cabin with heating Air conditioning Homologated lighting equipment Towing hitch Stop emergency Full visibility System with front and rear camera and 7" TFT water-proof color display Limited slip differential with negative parking brake Homologated ROPS/FOPS driver protective roof (with and without sun protector)			